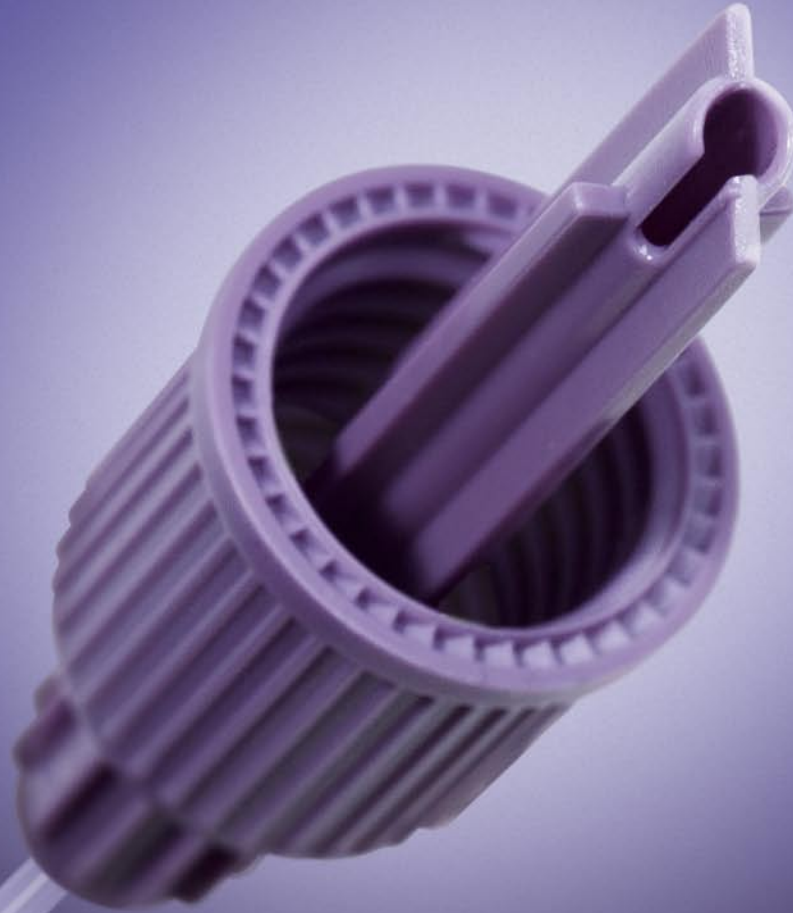


SpikeRight[®] PLUS

Connector



Leading the charge for tube-feeding safety

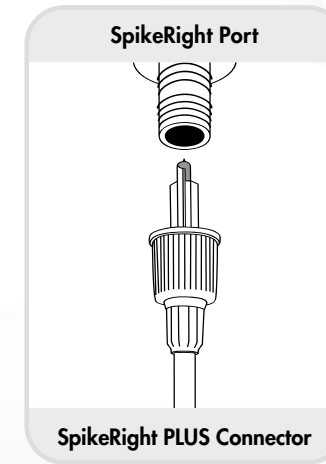


The SpikeRight® connector system: A heritage of safety since 1994

- Used by 9,400 healthcare organizations/facilities in the US
- 270 million products purchased
- The standard among major European manufacturers

In 2011, SpikeRight PLUS will become the first commercially available proximal enteral connecting system that has been uniquely designed to be incompatible with IV systems

New SpikeRight® PLUS proximal-end connector design lowers the risk of tubing misconnection

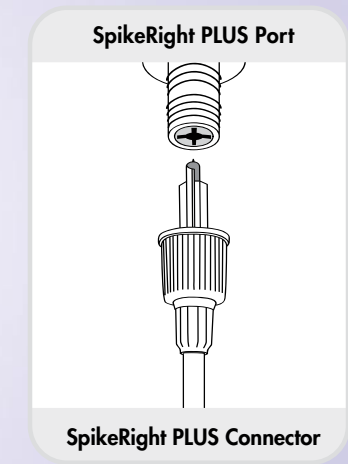


Compatible with current SpikeRight port on SpikeRight closed-system containers

Customers will not have to change clinical practice or change formula inventory



Cross design **incompatible** with IV bags



Enteral-specific port with cross design helps insure proper connection

SpikeRight® PLUS Connector



Nestlé has been at the forefront of improving patient safety year after year

1994

Nestlé SpikeRight design system was introduced and has since become the standard among major European manufacturers

2008-2009

- Nestlé introduced SpikeRight system in the US and Canada
- Nestlé, Fresenius, and Nutricia collaborated on next-generation SpikeRight proximal-end connector and closed system enteral port

2010

Nestlé's proximal-end connector design listed in draft ISO standards

2011

JULY: Introduction of Compat® administration sets with new SpikeRight PLUS proximal-end connector



2012

JANUARY: The SpikeRight PLUS design will be incorporated into ULTRAPAK® closed systems



FALL: ISO/AAMI Committee projected to publish new standards

BEYOND

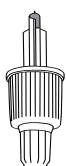
JANUARY 2013: California legislation prohibiting cross-compatibility takes effect

2013-2018: Global implementation period for new standards

Nestlé is committed to supporting institutions during the transition to new standards implementation

A phased approach begins with the introduction of SpikeRight® PLUS proximal-end connector

PHASE 1 - JULY 2011

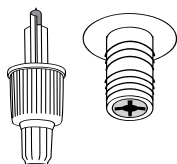


New cross-design proximal-end connector retains threaded feature, making it compatible with current closed-system containers

Designed to be incompatible with:

- IV ports

PHASE 2 - JANUARY 2012



New enteral-port cross design on ULTRAPAK® closed systems only compatible with the new SpikeRight PLUS proximal-end connector, further reducing risk of misconnection

Designed to be incompatible with:

- IV ports and spikes
- Former SpikeRight design

Nestlé will provide conversion tools, adapters, and in-service programs

Product	Product Code	Case UPC (GTN)	QTY/C
COMPAT DUALFLO® pump administration set with SpikeRight® PLUS connector and 1000 mL water bag	12154512	100-43900-89663-9	30
COMPAT® pump administration set with SpikeRight® PLUS connector	12154513	100-43900-89755-1	30

SpikeRight®  PLUS
Connector

